



# SHRI SAIBABA SANSTHAN TRUST, SHIRDI

SHIRDI : Post : Shirdi - 423 109, Tal. Rahata, Dist. Ahmednagar, Maharashtra (India)

Telephone : +91-2423-258 500, Fax : +91-2423-258 770, Telegram : Sainath, Shirdi.

No. SSS/Mechanical/ 952 /2024

Date :-

19 JUN 2024

To,

-----  
-----  
-----

## Sub :- Quotation for Purchase of Stainless Steel Bain Marie.

We are inviting the quotation for purchase of Bain Marie for Shri Saibaba Sansthan Trust Shirdi, as per technical specification & the following terms & conditions.

Sr. No.	Description	Qty	Rate	Amount
1	<p><b>Stainless Steel 304 Bain Marie</b>            Size of Warmer - 600mm x730mm x850mm Ht            G.N. Pans of 21 ltr Capacity each Pan- 3 Nos            6" Deep with Serving railing on one sides.            Complete SS304 Construction, fitted with heavy duty immersion Heater of 1.5KW. thermostatically controlled            The frame made up 40 mm sq. SS 304 pipe with 5 mm thick SS plate for fixing wheel bracket.            The wheel is HP-1 concealed bearing, two wheels are swivelling and two fixed size of wheel 150 mm – 50 mm, Pioneer make, the wheel fitted 50 mm inside frame to avoid accident while moving trolley. The wheel bracket is fix to the frame by ss bolt..</p>	5 Nos		

### Terms & Condition

- Above equipment will have to be supplied F.O.R. Shirdi
- The rate should be inclusive of GST, Insurance & Transportation will be arranging by the vendor at their own cost. In case any damages caused to the equipment, during the transportation, loading, unloading fabrication the same shall be repaired & made good in accordance with their own cost.
- No advance payment in any case would be made. 95% payment will be made after 15 days from the date supply of Bain Marie at Shirdi Site. Remaining 5% amount will be kept as Security Deposit. It will be refundable after one year form the last date of material received date. No interest will be supplied on S.D.
- Time Period :-** The Bain Marie shall be supplied within 30 days from the date of Work order.

Next Page -



**MUMBAI** : Sainiketan, 804, - B, Dr. Ambedkar Marg, Dadar, Mumbai - 400 014

Telephone : + 91-22-24166556, Fax : + 91-22-24150798, Telegram : Sainiketan, Mumbai

● Website : <http://www.shrisaibabasansthan.org> / [www.sai.org.in](http://www.sai.org.in) ● E\_mail : saibaba@sai.org.in

2.

5. The quotation shall submit in the sealed envelope. An envelope should be clearly attached & subscribed as “**Mechanical Department- Supply of Bain Marie.**” The quotation in sealed envelope may be submitted to inward office of Shri Saibaba Sansthan on or before dated **15/7/2024**
6. The Bain Marie should be as per specification. No other technical specification will be acceptable.
7. All sheet, pipe used should be stainless steel 304 quality polished or matt as specified and thickness as specified.
8. All joints should be well finished without any sharp corners.
9. All surface which come into contact with food product shall be free from crevices have a smooth finish.
10. The material shall be checked for nickel contains of stainless steel pipe & sheets used in the product. And if found not to the specification (i.e. 8%) the final payment shall be held up and the strong action shall be taken against the vendor. Shri Saibaba Sansthan has reserved the right to check the kitchen equipment material piece at any govt. approved metallurgical laboratory if required.
11. Shri Saibaba Sansthan Trust, Shirdi reserve the right to reject any or all tenders without assigning any reason there for.

Signed by

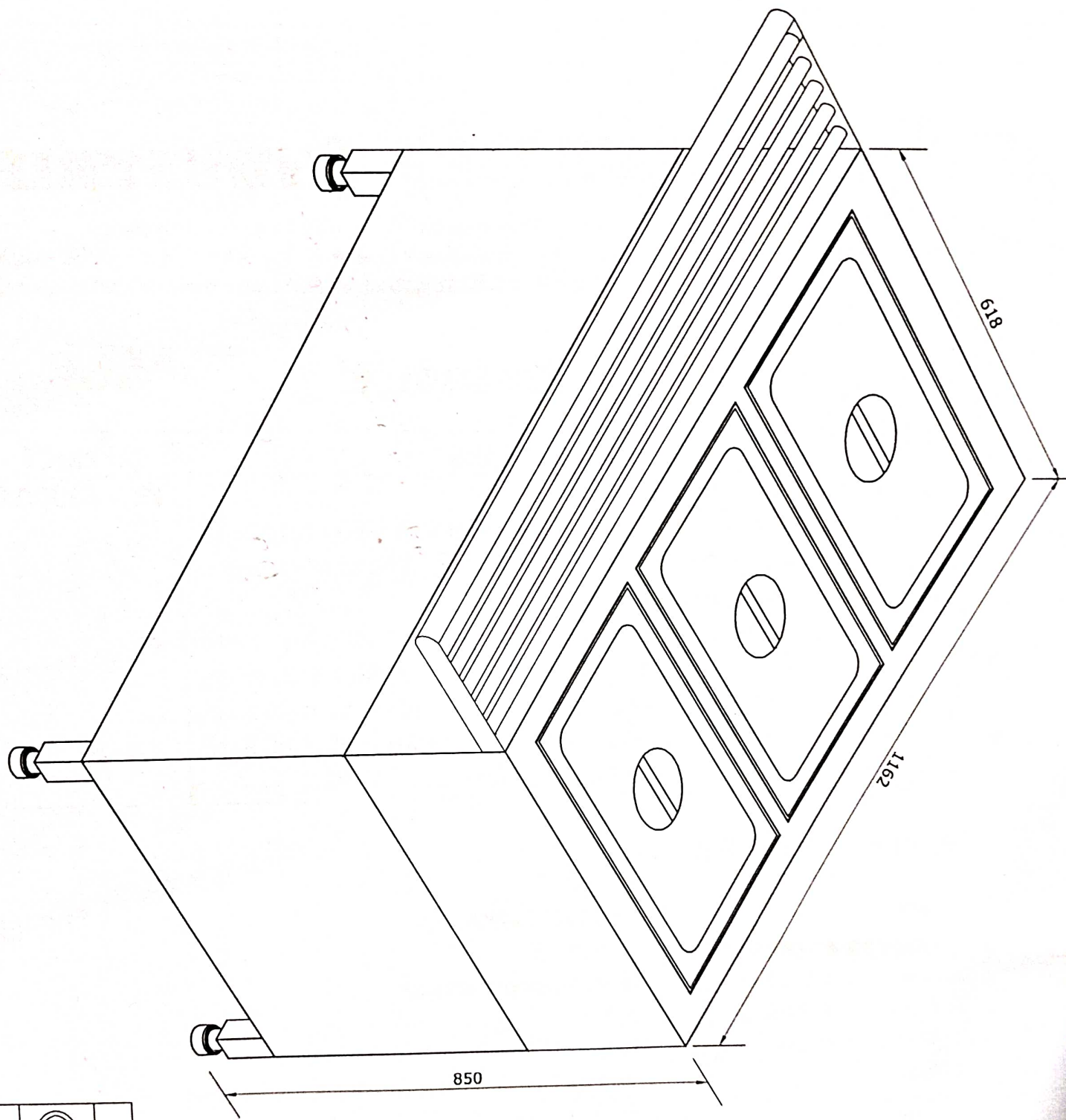
Bhikan Deochand Dabhade

(Date: 09-06-2024 10:49:14)

Executive Engineer

Shir Saibaba Sansthan Trust Shirdi

*Approved by Chief Executive Officer*





Length	1160 mm
Width	618 mm
Height	850mm
Material	Stainless Steel
Container	S.S. 21 Ltr Cap X 3 Nos.
Frame	40 X 40 16 Swg
Heaters	1.5 kW X 1 Nos.